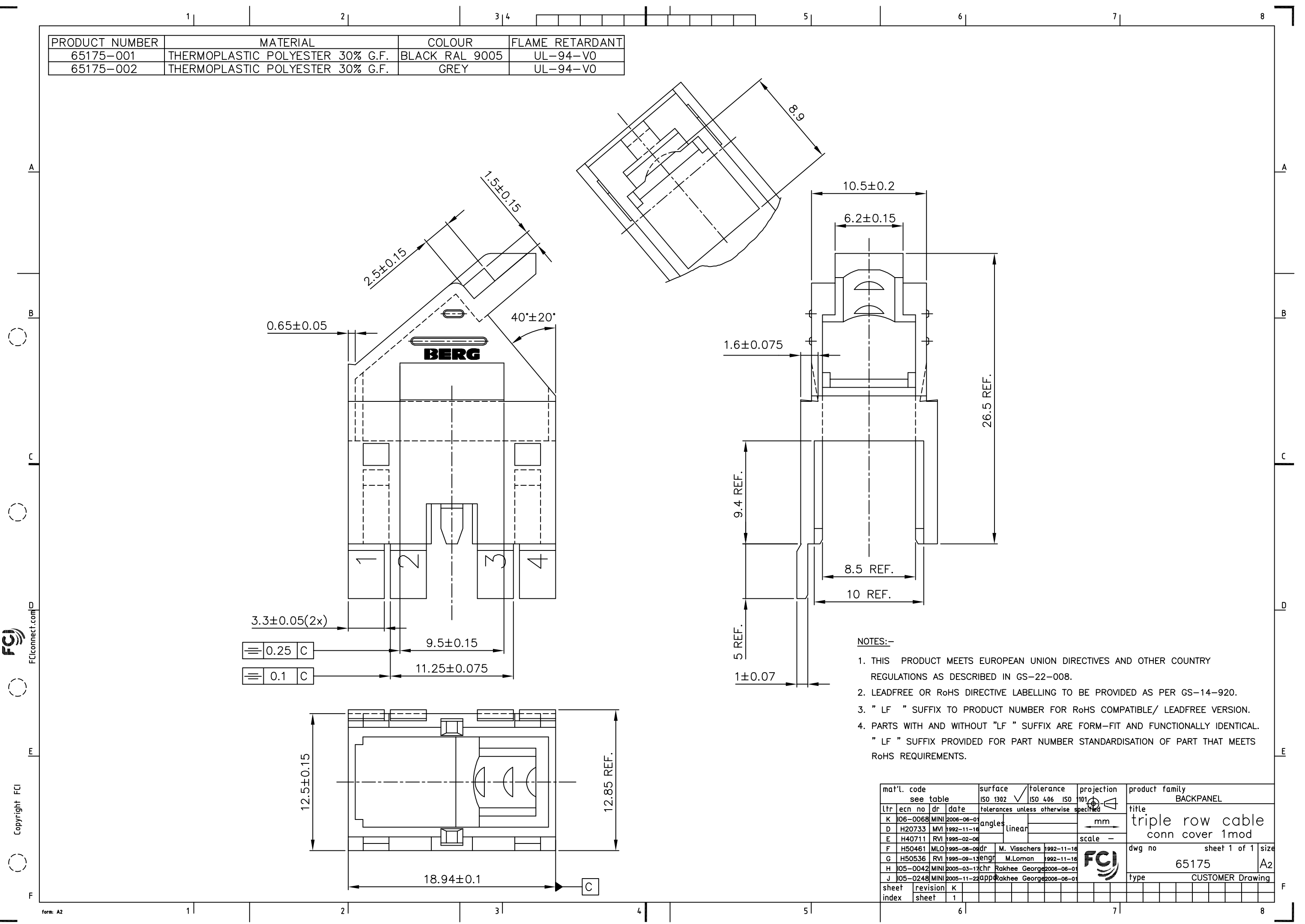
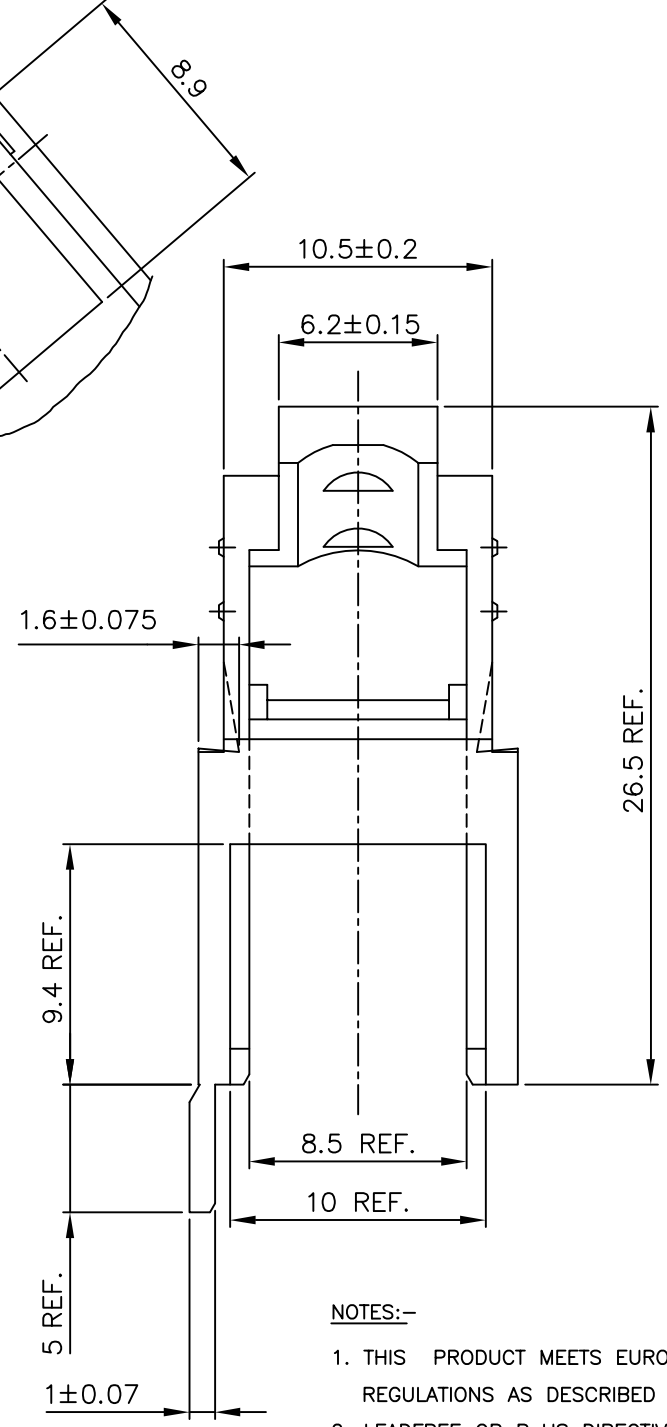


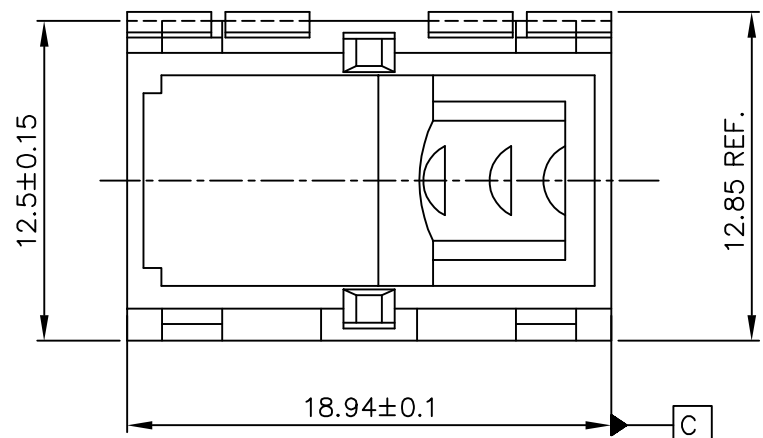
PRODUCT NUMBER	MATERIAL	COLOUR	FLAME RETARDANT
65175-001	THERMOPLASTIC POLYESTER 30% G.F.	BLACK RAL 9005	UL-94-V0
65175-002	THERMOPLASTIC POLYESTER 30% G.F.	GREY	UL-94-V0



Copyright FCJ



- NOTES:-**
1. THIS PRODUCT MEETS EUROPEAN UNION DIRECTIVES AND OTHER COUNTRY REGULATIONS AS DESCRIBED IN GS-22-008.
 2. LEADFREE OR RoHS DIRECTIVE LABELLING TO BE PROVIDED AS PER GS-14-920.
 3. " LF " SUFFIX TO PRODUCT NUMBER FOR RoHS COMPATIBLE/ LEADFREE VERSION.
 4. PARTS WITH AND WITHOUT "LF " SUFFIX ARE FORM-FIT AND FUNCTIONALLY IDENTICAL. " LF " SUFFIX PROVIDED FOR PART NUMBER STANDARDISATION OF PART THAT MEETS RoHS REQUIREMENTS.



mat'l. code see table		surface ISO 1302	tolerance ISO 406	projection ISO 101	product family BACKPANEL
ltr	ecn no	dr	date	tolerances unless otherwise specified	title triple row cable conn cover 1mod
K	06-0068	MINI	2006-06-01	angles	mm
D	H20733	MVI	1992-11-16	linear	scale -
E	H40711	RVI	1995-02-06		FCJ
F	H50461	MLO	1995-08-09	dr	M. Visschers 1992-11-16
G	H50536	RVI	1995-09-13	engr	M.Loman 1992-11-16
H	05-0042	MINI	2005-03-17	chr	Rakhee George 2006-06-01
J	05-0248	MINI	2005-11-22	app	Rakhee George 2006-06-01
sheet index	revision	K	1		dwg no 65175
	sheet				sheet 1 of 1 size A2
					type CUSTOMER Drawing